

Serie Abruzzo

9440200

Trim for 1/2" & 3/4" Volume control

STANDARDS

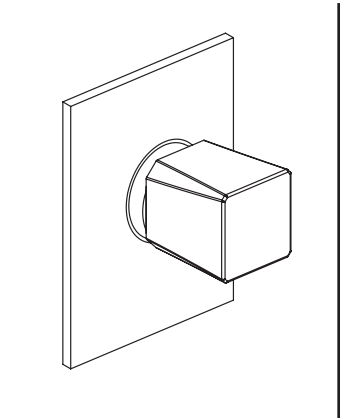
- Compliant with ASME A112.18.1-B125.1 requirements
- Certified By CSA international

Finishes

	94402SQPC	94402S00N
Polished Chrome	X	
Brushed Nickel		X

Features

	94402SQPC	94402S00N
Solid Brass Construction	X	X
Ceramic Disc Valving	X	X
3/4" NPT or 1/2" NPT inlet	X	X
Progressive Volume Control	X	X
Kit Includes Trim	X	X
Step-By-Step Installation Instructions	X	X
Limited Lifetime Warranty	X	X



Project _____

Contractor _____