

Serie Abruzzo

9468700

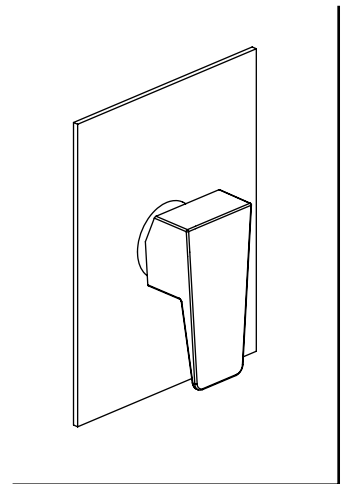
P/b shower trim only

STANDARDS

- Compliant with ASME A112.18.1-B125.1
- Compliant with ASSE 1016T
- Certified by CSA International
- Compliant with ANSI A117.1

Finishes	9468700PC	9468700BN
Polished Chrome	X	
Brushed Nickel		X

Features	9468700PC	9468700BN
Pressure Balance Trim	X	X
Includes pressure balance cartridge	X	X
1/2" Pressure Balance Valve featuring Ceramic Discs	X	X
1/2" NPT Inlets	X	X
ADA Compliant	X	X
Step-By-Step Installation Instructions	X	X
Limited Lifetime Warranty	X	X



Project _____

Contractor _____